

NOTE: DO NOT DISCARD the Parts List from the Instruction Bulletin. Place the Parts List in the appropriate place in the machine manual for future reference. Retaining the Parts List will make it easier to reorder individual parts and will save the cost of ordering an entire kit.

NOTE: Numbers in parenthesis () are reference numbers for parts listed in Bill of Materials.

Installation instructions for **kit number 9003797**

SYNOPSIS:

This kit contains the parts needed to replace the float switch protector bracket on T20 machines. Please follow step-by-step instructions.

SPECIAL TOOLS / CONSIDERATIONS: NONE

(Estimated time to complete: 1 hour)

PREPARATION:

1. Park the machine on a clean level surface, turn off the machine, engage the parking brake, and remove the key.

FOR SAFETY: Before leaving or servicing machine, stop on level surface, turn off machine, engage the parking brake, and remove key.

2. Lift and lock the recovery tank cover completely open.
3. Empty the recovery tank. Refer to the Operators manual for instructions how to empty the recovery tank.
4. Remove the shield from the back of the recovery tank. Set the shield and hardware aside. Refer to Fig. 1.

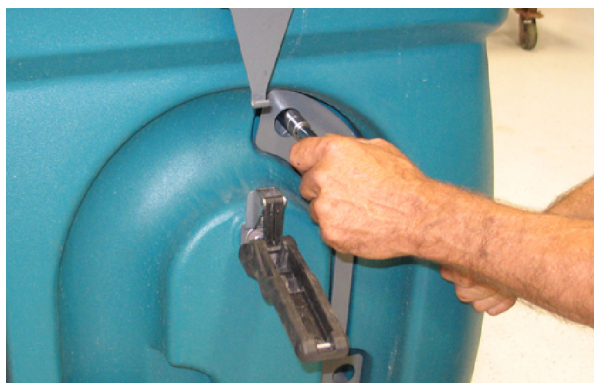


FIG. 1

INSTALLATION:

1. Note the orientation of the float switch. The float switch must be oriented the same way when reinstalled into the recovery tank.
2. Disconnect the wires from the float switch and remove the float switch and rounded float switch protector bracket from the recovery tank. Set the hardware aside. Discard the float switch protector bracket. Refer to Fig. 5.
3. Reinstall the float switch and reconnect the wires to the float switch. Be sure the float switch is oriented as it was before it was removed in Step 1.
4. Hold the new float switch guard (1) onto the the float switch as shown in Fig. 2 and drill two holes through the holes in the float switch guard and through the recovery tank. Refer to Fig. 2 for the location of the float switch guard and Fig. 6 for sizes/locations of holes.

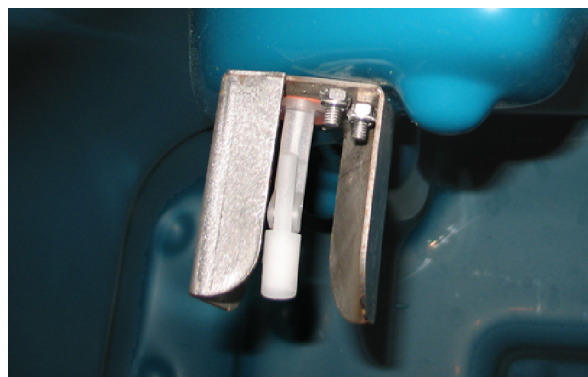


FIG. 2

5. Remove/smooth all burrs and/or ridges from around the two holes drilled into the recovery tank. Refer to Fig. 6.
6. Use two hex screws (2), sealing washers (1), and hex nuts (3) to install the float switch protector bracket (4) in the recovery tank. Note location of sealing washers (1) **outside** the recovery tank. Refer to Fig. 3 and Fig. 4.

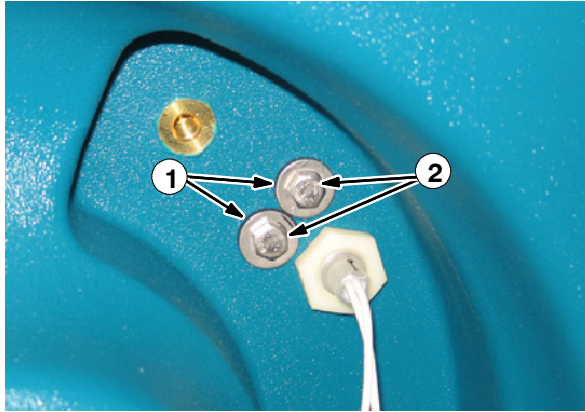


FIG. 3

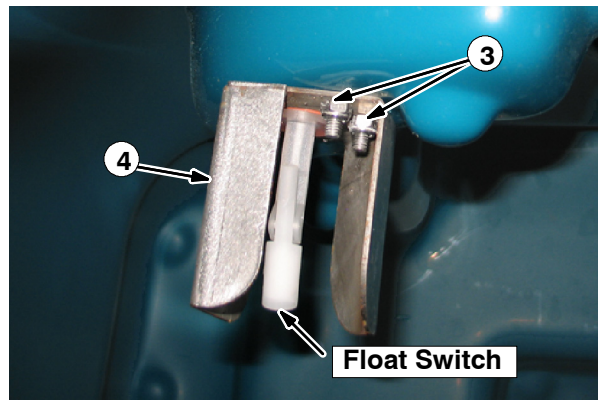


FIG. 4

7. Reinstall the shield onto the back of the recovery tank.
8. Operate the machine. Ensure float switch operates when the recovery tank is full. Check for leaks around the float switch guard (1).

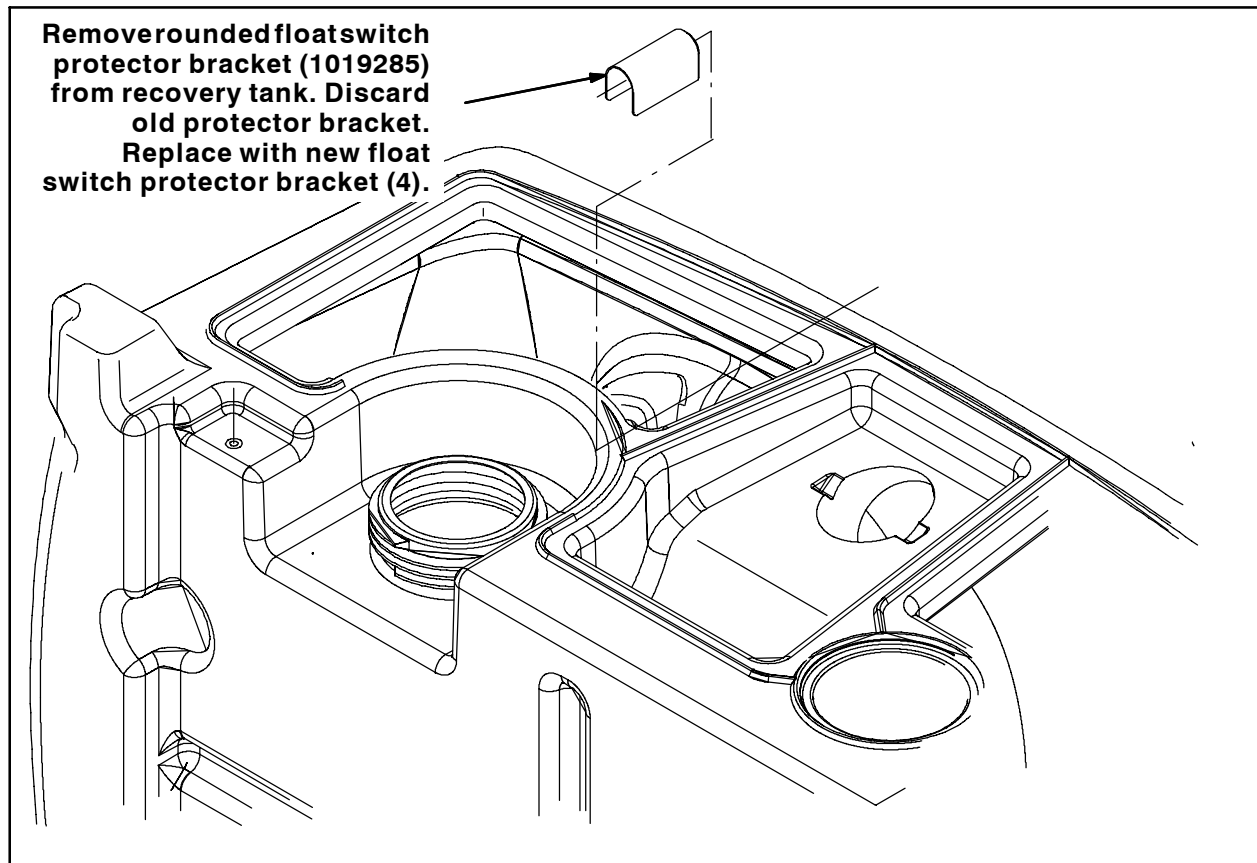


FIG. 5

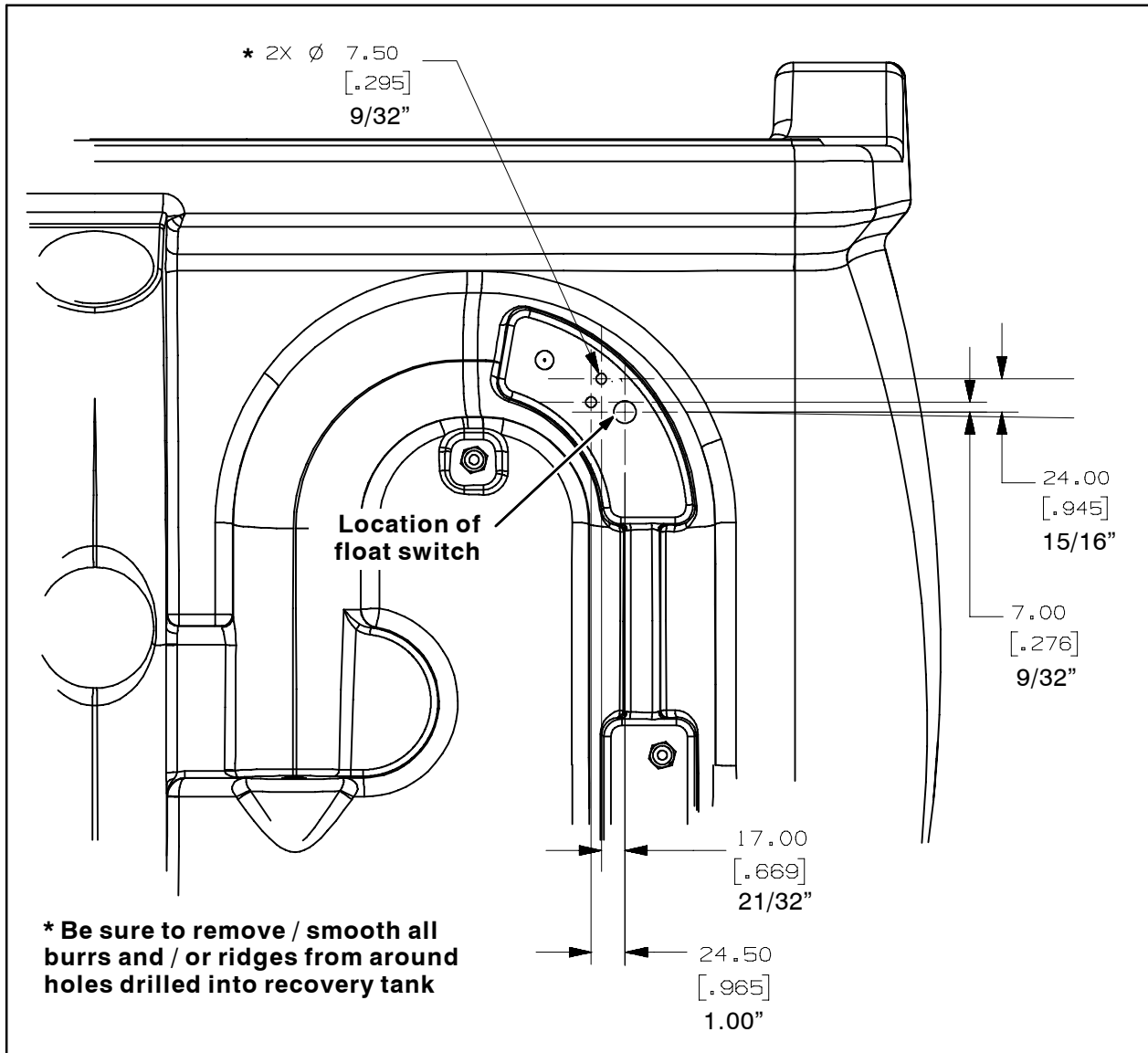


FIG. 6

Bill of Materials for Guard Kit, Switch, Float, Replmt [T20]-9003797

Ref.	Tennant Part No.	Description	Qty.
▽	9003797	Guard Kit, Switch, Float, Replmt [T20]	1
▲	1 76426	Washer, Sealing, 0.28B 0.75D SS, Neo	2
▲	2 09007	Screw, Hex, M6 X 1.0 X 25, SS	2
▲	3 08712	Nut, Hex, Lock, M6 X 1.00, SS, NL	2
▲	4 1039697	Guard Wldt, Switch, Float	1

TENNANT COMPANY
P. O. Box 1452
Minneapolis, MN 55440-1452